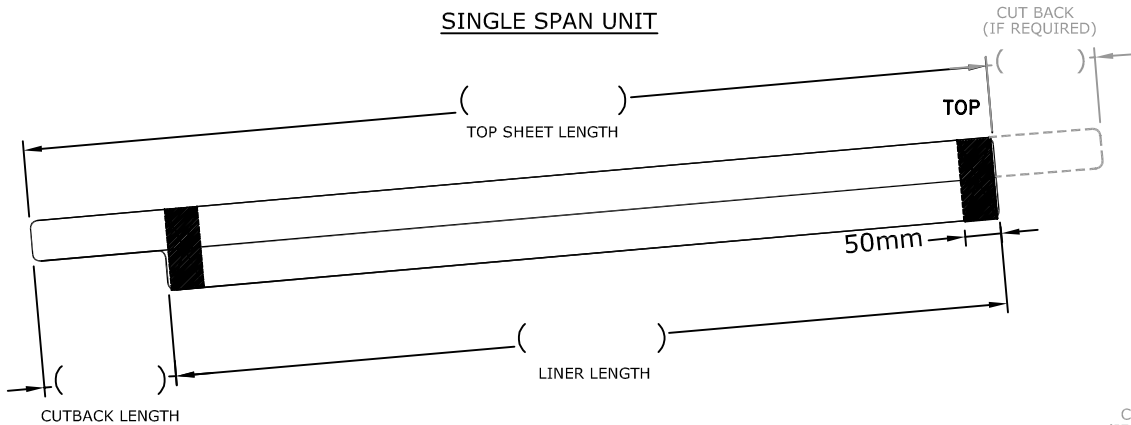
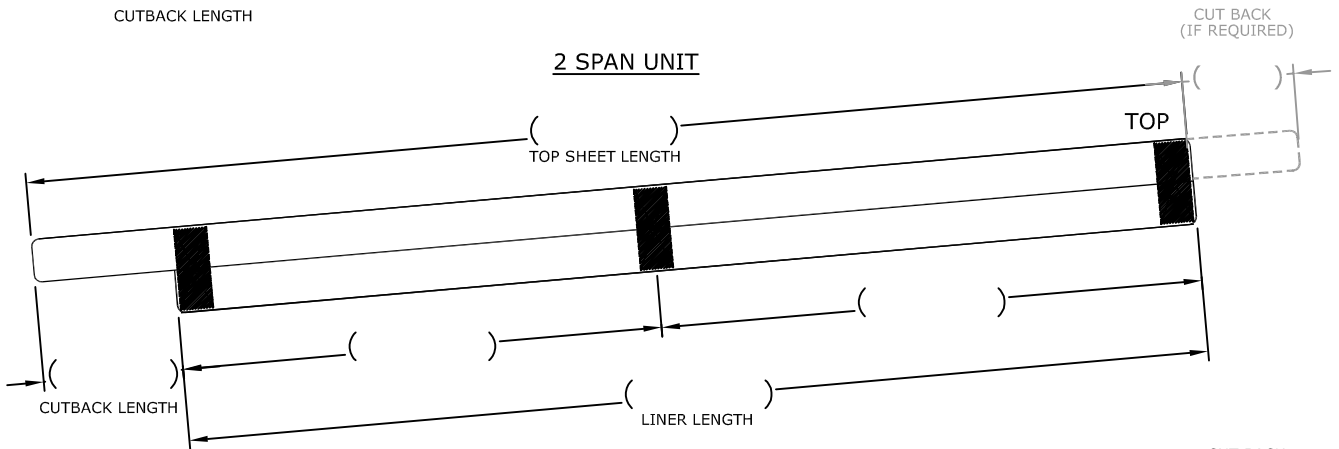


CUSTOMER ORDER FORM FOR FACTORY ASSEMBLED INSULATED ROOFLIGHTS (FAIR'S)

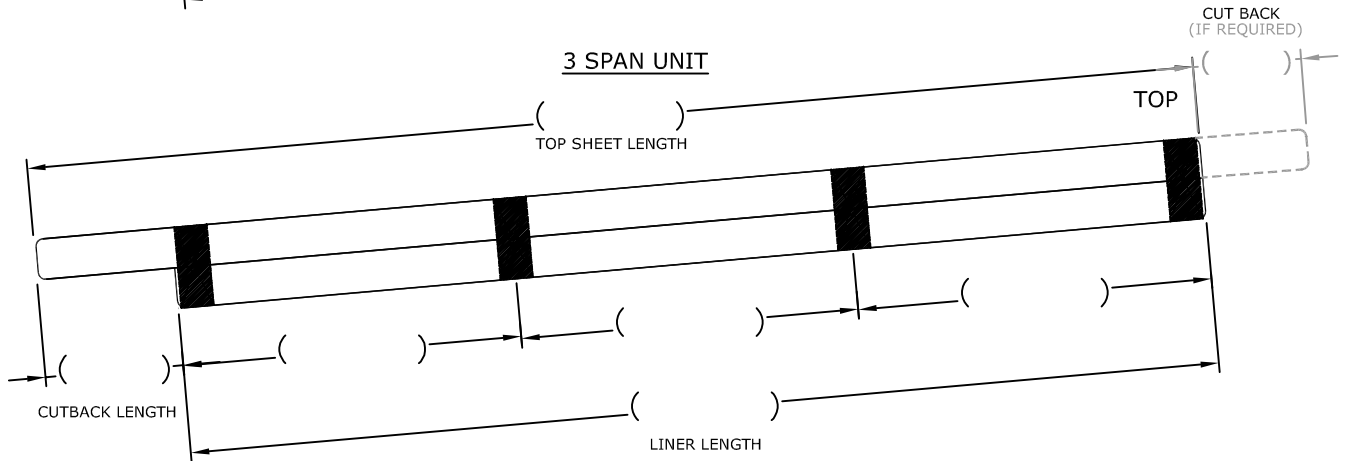
SINGLE SPAN UNIT



2 SPAN UNIT



3 SPAN UNIT



PROFILE/SYSTEM

BOX DEPTH:

QTY LEFT TO RIGHT LAY:

FOR LEFT TO RIGHT LAY AS VIEWED FROM EAVES

QTY RIGHT TO LEFT LAY:

FOR RIGHT TO LEFT LAY AS VIEWED FROM EAVES

METAL UNDERLAP STRIP REQ'D? YES NO PLEASE CIRCLE IF REQUIRED

PLEASE TICK RELEVANT BOX

*TOP SHEET WEIGHT

2.44 kg/m² OUTER SHEET:
(minimum weight - non-fragile when being installed)

3.06 kg/m² OUTER SHEET:
(non-fragile for 25 years)

SUPASAFE OUTER SHEET:
(non-fragile for the life of roof)

PLEASE TICK RELEVANT BOX

*U VALUE

DOUBLE SKIN (3.0 U VALUE):

TRIPLE SKIN (2.0 U VALUE):
(standard configuration)

OTHER :
Please specify U Value req'd

CUSTOMER :

DATE:

ORDER NO. :

SIGNED:

SPECIAL INSTRUCTIONS:

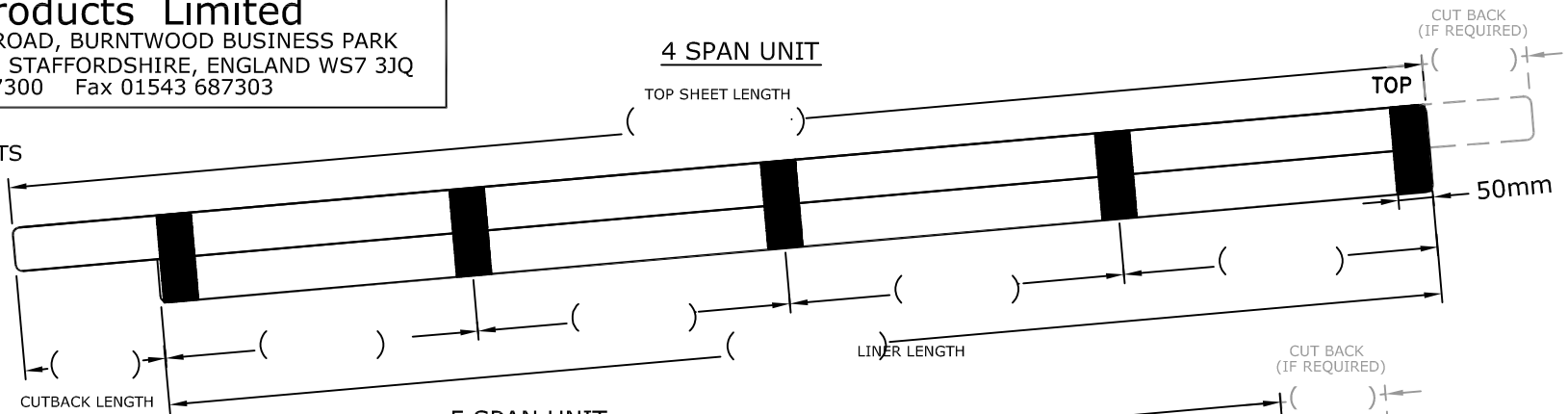
*For information relating to non-fragility & Rooflight U values please refer to FILON Technical Data Sheets which are available from our Sales Office and website by visiting : www.filon.co.uk



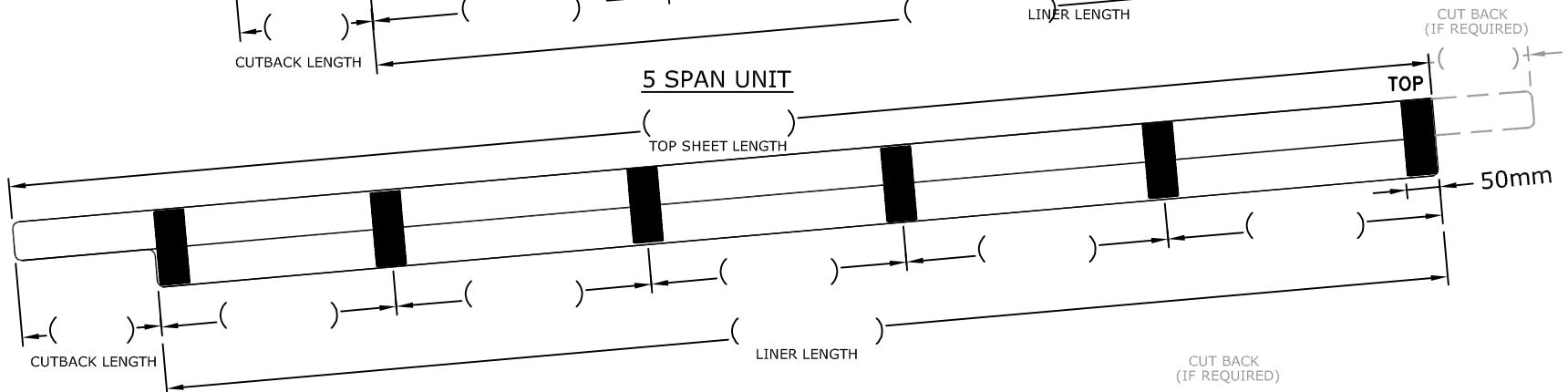
Filon Products Limited
 UNIT 3 RING ROAD, BURNTWOOD BUSINESS PARK
 BURNTWOOD, STAFFORDSHIRE, ENGLAND WS7 3JQ
 Tel 01543 687300 Fax 01543 687303

CUSTOMER ORDER FORM FOR
 FACTORY ASSEMBLED INSULATED ROOFLIGHTS

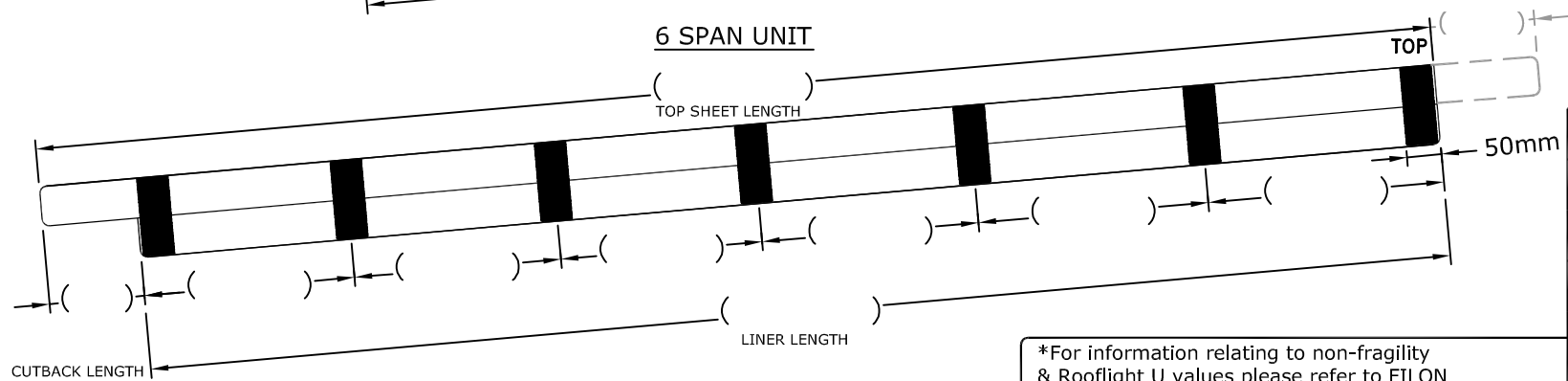
4 SPAN UNIT





5 SPAN UNIT



6 SPAN UNIT



| | |
|--|--|
| PROFILE/SYSTEM | |
| BOX DEPTH: | |
| QTY LEFT TO RIGHT LAY: | |
|  <small>FOR LEFT TO RIGHT LAY AS VIEWED FROM EAVES</small> | |
| QTY RIGHT TO LEFT LAY: | |
|  <small>FOR RIGHT TO LEFT LAY AS VIEWED FROM EAVES</small> | |

*For information relating to non-fragility & Rooflight U values please refer to FILON Technical Data Sheets which are available from our Sales Office and website by visiting : www.filon.co.uk

PLEASE TICK RELEVANT BOX

| *TOP SHEET WEIGHT | |
|--|--------------------------|
| 2.44 kg/m ² OUTER SHEET: (minimum weight - non-fragile when being installed) | <input type="checkbox"/> |
| 3.06 kg/m ² OUTER SHEET: (non-fragile for 25 years) | <input type="checkbox"/> |
| SUPASAFE OUTER SHEET: (non-fragile for the life of roof) | <input type="checkbox"/> |

PLEASE TICK RELEVANT BOX

| *U VALUE | |
|--|--------------------------|
| DOUBLE SKIN (3.0 U VALUE): | <input type="checkbox"/> |
| TRIPLE SKIN (2.0 U VALUE): (standard configuration) | <input type="checkbox"/> |
| OTHER : Please specify U Value req'd | <input type="checkbox"/> |

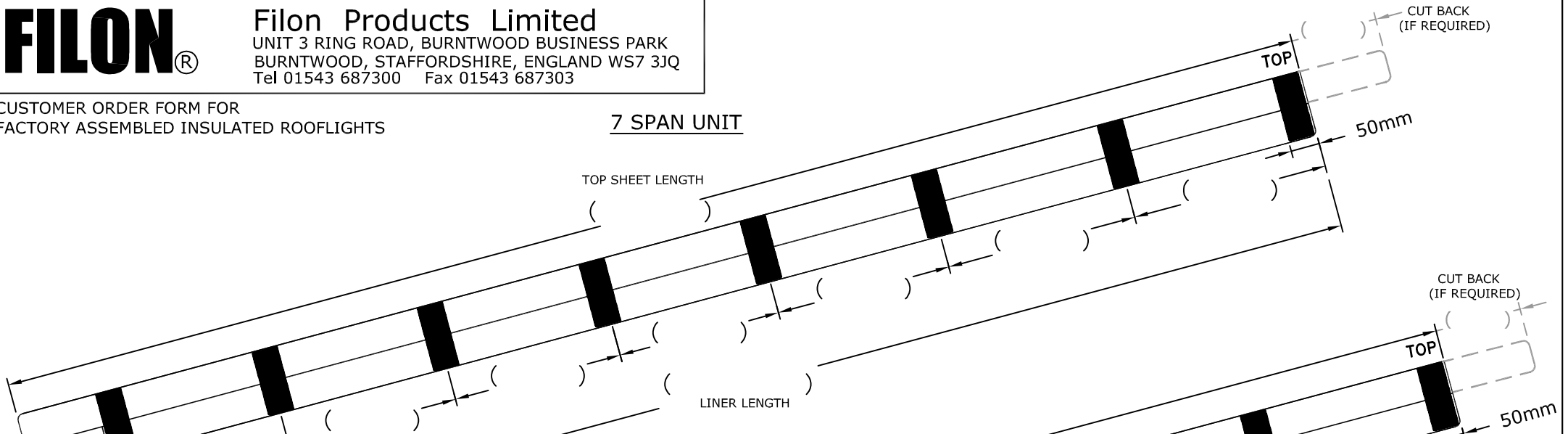
| | | | |
|-----------------------------|-----|----|---------------------------|
| METAL UNDERLAP STRIP REQ'D? | YES | NO | PLEASE CIRCLE IF REQUIRED |
| CUSTOMER : | | | DATE: |
| ORDER NO. : | | | SIGNED: |
| SPECIAL INSTRUCTIONS: | | | |
| | | | |
| | | | |



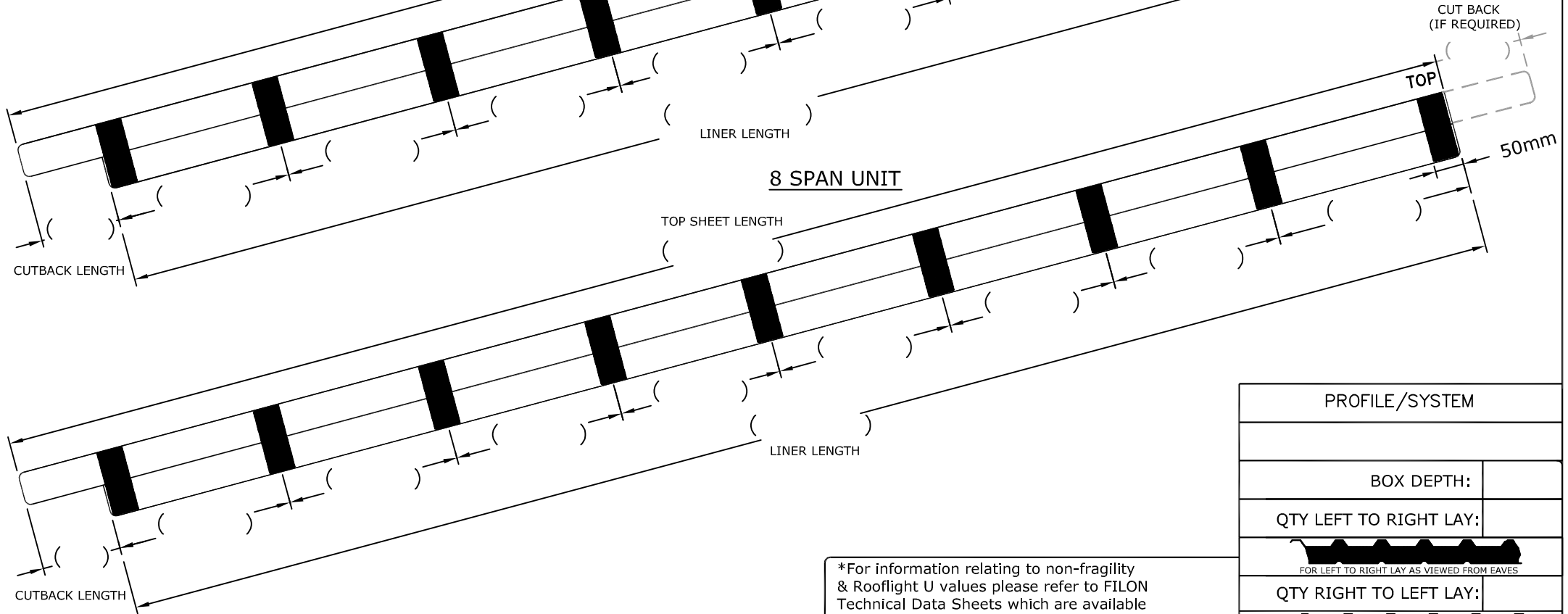
Filon Products Limited
 UNIT 3 RING ROAD, BURNTWOOD BUSINESS PARK
 BURNTWOOD, STAFFORDSHIRE, ENGLAND WS7 3JQ
 Tel 01543 687300 Fax 01543 687303

CUSTOMER ORDER FORM FOR
 FACTORY ASSEMBLED INSULATED ROOFLIGHTS

7 SPAN UNIT



8 SPAN UNIT





PLEASE TICK RELEVANT BOX

PLEASE TICK RELEVANT BOX

| *TOP SHEET WEIGHT | |
|--|--------------------------|
| 2.44 kg/m ² OUTER SHEET: (minimum weight - non-fragile when being installed) | <input type="checkbox"/> |
| 3.06 kg/m ² OUTER SHEET: (non-fragile for 25 years) | <input type="checkbox"/> |
| SUPASAFE OUTER SHEET: (non-fragile for the life of roof) | <input type="checkbox"/> |

| *U VALUE | |
|--|--------------------------|
| DOUBLE SKIN (3.0 U VALUE): | <input type="checkbox"/> |
| TRIPLE SKIN (2.0 U VALUE): (standard configuration) | <input type="checkbox"/> |
| OTHER : Please specify U Value req'd | <input type="checkbox"/> |

*For information relating to non-fragility & Rooflight U values please refer to FILON Technical Data Sheets which are available from our Sales Office and website by visiting : www.filon.co.uk

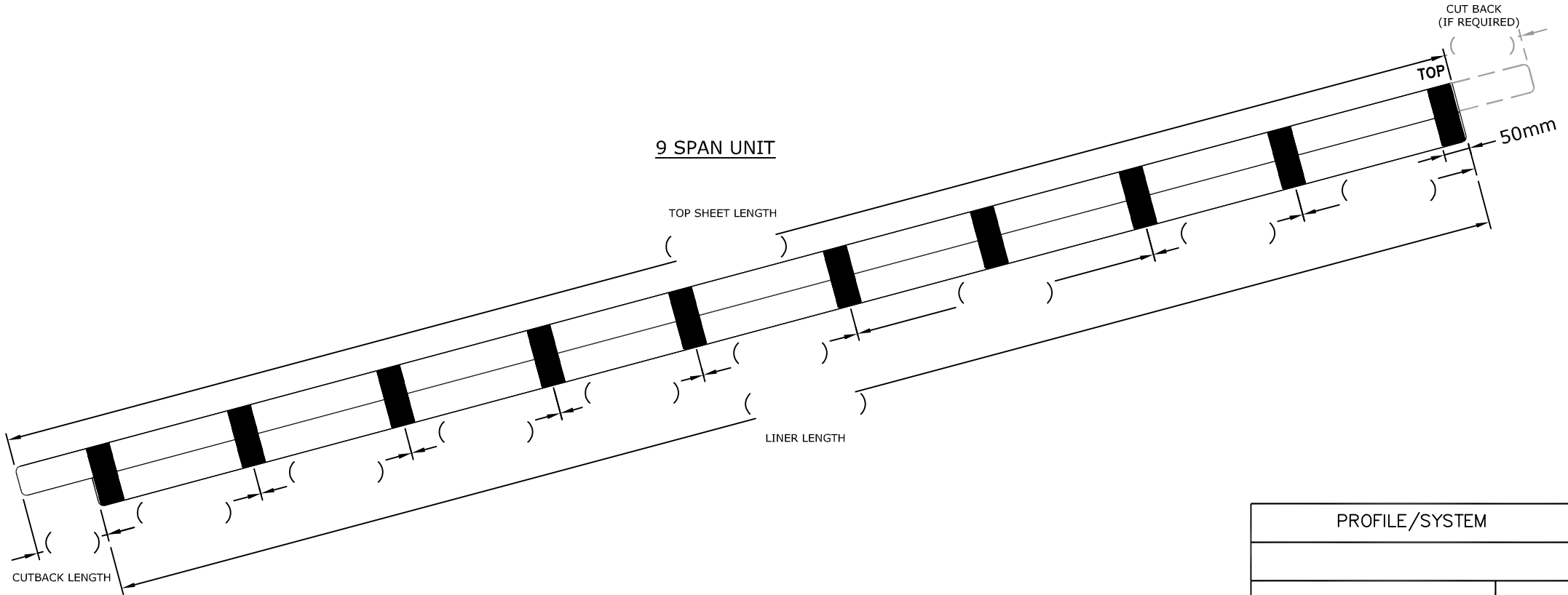
| | |
|--|----------------------|
| PROFILE/SYSTEM | |
| | |
| BOX DEPTH: | <input type="text"/> |
| QTY LEFT TO RIGHT LAY: | <input type="text"/> |
|  <small>FOR LEFT TO RIGHT LAY AS VIEWED FROM EAVES</small> | |
| QTY RIGHT TO LEFT LAY: | <input type="text"/> |
|  <small>FOR RIGHT TO LEFT LAY AS VIEWED FROM EAVES</small> | |



| | | | |
|-----------------------------|----------------------|---------|---------------------------|
| METAL UNDERLAP STRIP REQ'D? | YES | NO | PLEASE CIRCLE IF REQUIRED |
| CUSTOMER : | <input type="text"/> | DATE: | <input type="text"/> |
| ORDER NO. : | <input type="text"/> | SIGNED: | <input type="text"/> |
| SPECIAL INSTRUCTIONS: | <input type="text"/> | | |
| | | | |



Filon Products Limited
 UNIT 3 RING ROAD, BURNTWOOD BUSINESS PARK
 BURNTWOOD, STAFFORDSHIRE, ENGLAND WS7 3JQ
 Tel 01543 687300 Fax 01543 687303

**CUSTOMER ORDER FORM FOR
 FACTORY ASSEMBLED INSULATED ROOFLIGHTS**



| | |
|--|--|
| PROFILE/SYSTEM | |
| | |
| BOX DEPTH: | |
| QTY LEFT TO RIGHT LAY: | |
|  <small>FOR LEFT TO RIGHT LAY AS VIEWED FROM EAVES</small> | |
| QTY RIGHT TO LEFT LAY: | |
|  <small>FOR RIGHT TO LEFT LAY AS VIEWED FROM EAVES</small> | |

*For information relating to non-fragility & Rooflight U values please refer to FILON Technical Data Sheets which are available from our Sales Office and website by visiting : www.filon.co.uk

PLEASE TICK RELEVANT BOX

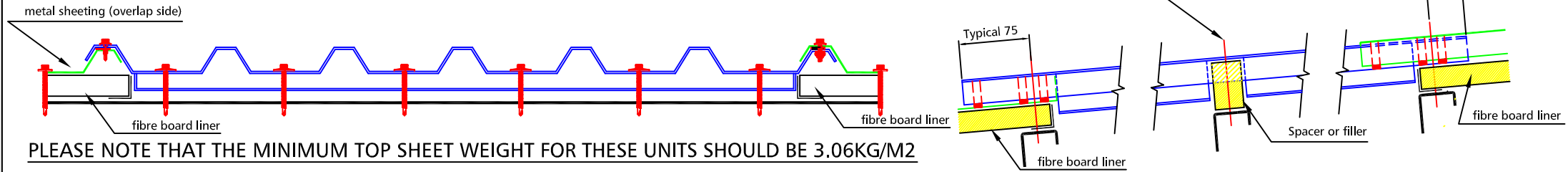
| *TOP SHEET WEIGHT | |
|--|--|
| 2.44 kg/m2 OUTER SHEET: (minimum weight - non-fragile when being installed) | |
| 3.06 kg/m2 OUTER SHEET: (non-fragile for 25 years) | |
| SUPASAFE OUTER SHEET: (non-fragile for the life of roof) | |

PLEASE TICK RELEVANT BOX

| *U VALUE | |
|--|--|
| DOUBLE SKIN (3.0 U VALUE): | |
| TRIPLE SKIN (2.0 U VALUE): (standard configuration) | |
| OTHER : Please specify U Value req'd | |

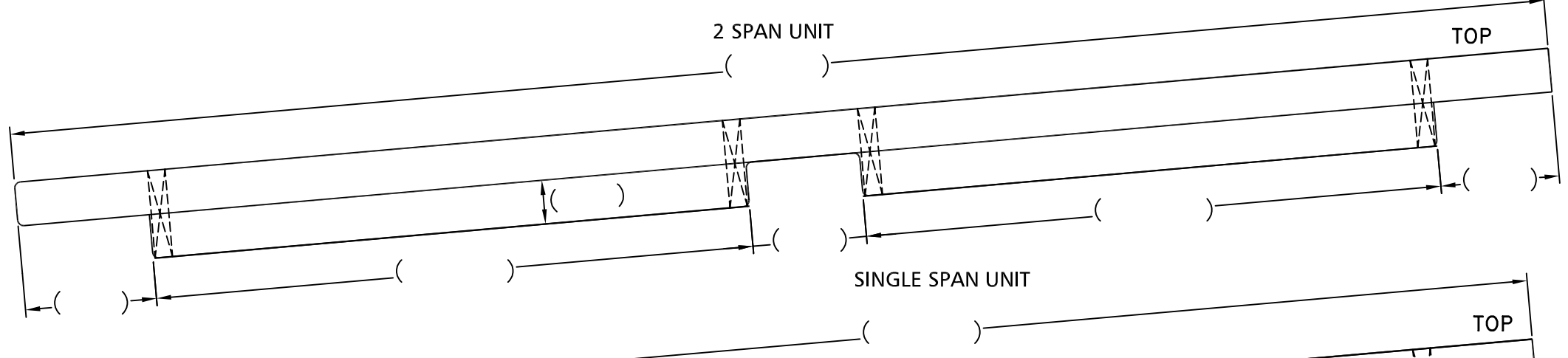
| | | | |
|-----------------------------|-----|----|---------------------------|
| METAL UNDERLAP STRIP REQ'D? | YES | NO | PLEASE CIRCLE IF REQUIRED |
| CUSTOMER : | | | DATE: |
| ORDER NO. : | | | SIGNED: |
| SPECIAL INSTRUCTIONS: | | | |
| | | | |
| | | | |

TYPICAL CONFIGURATION



PLEASE NOTE THAT THE MINIMUM TOP SHEET WEIGHT FOR THESE UNITS SHOULD BE 3.06KG/M2

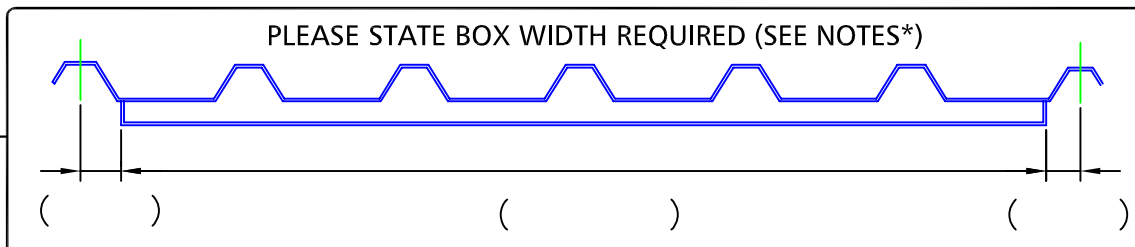
CUSTOMER ORDER FORM FOR FACTORY ASSEMBLED DOUBLE SKIN ROOFLIGHTS - SUSPENDED BOX



PLEASE TICK ALL RELEVANT BOXES

| | |
|-------------------------|--|
| TOP SHEET PROFILE: | |
| BOX DEPTH: | |
| 2.44 kg/m2 OUTER SHEET: | |
| 3.06 kg/m2 OUTER SHEET: | |
| SUPASAFE OUTER SHEET: | |
| QTY RIGHT TO LEFT LAY: | |
| QTY LEFT TO RIGHT LAY: | |

*IF THE ROOFLIGHTS ARE IN A CONTINUOUS RUN ACROSS THE WIDTH OF THE ROOF 2 DIFFERENT BOX WIDTHS WILL BE REQUIRED



Filon Products Limited
 UNIT 3 RING ROAD, BURNTWOOD BUSINESS PARK
 BURNTWOOD, STAFFORDSHIRE, ENGLAND WS7 3JQ
 Tel 01543 687300 Fax 01543 687303
 www.filon.co.uk

| | | | |
|-----------------------|--|---------|--|
| CUSTOMER : | | DATE: | |
| ORDER NO. : | | SIGNED: | |
| SPECIAL INSTRUCTIONS: | | | |
| | | | |